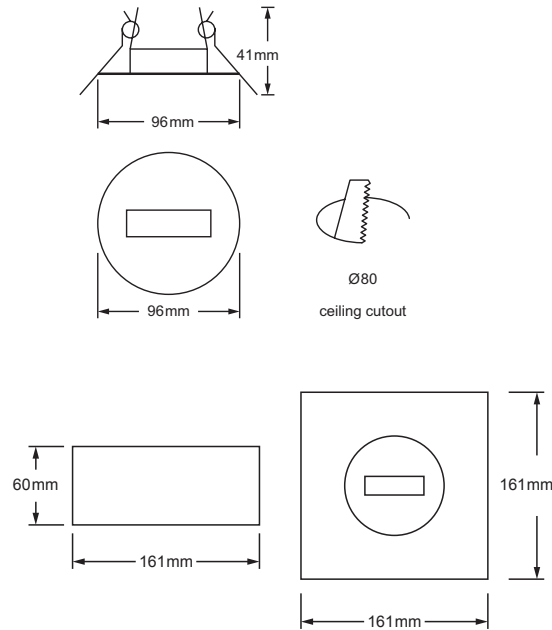
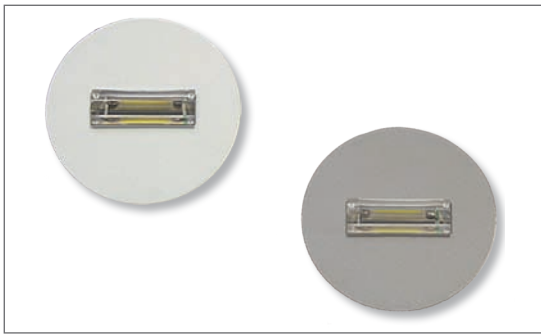


# LED-Downlight Slimline

Description: Emergency luminaire equipped with Power LED. Specially designed reflector for wide beam distribution in axial and narrow beam distribution in transversal direction. Recessed version with circular cover and fixing springs. Surface mounted version with square box and integrated LED driver. Special feature: light distribution particularly designed for corridor lighting.



## Technical data

Mounting:  
surface or recessed ceiling installation

Body:  
Steel sheet, grey painted (RAL 9006)  
or white painted (RAL 9003)

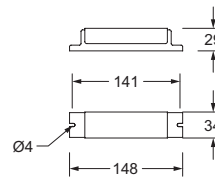
Cover:  
Steel sheet, grey painted (RAL 9006)  
or white painted (RAL 9003)

Mains supply:  
198V - 254V / 50Hz

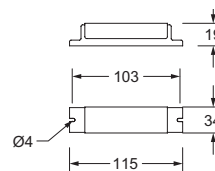
Battery supply:  
176V - 254 V

Ambient temperature:  
-10 to +40 °C

Driver for version S, A and N



Driver for version E



Order Code	Lamp	EVG	SLEB	AUTO	NEA
recessed ceiling installation					
<b>T92023_*</b> grey painted	LED 1x3W	<b>Ballast lumen factor:</b> 100%	100%	100%	100%
<b>T92024_*</b> white painted	LED 1x3W	<b>Ballast lumen factor:</b> 100%	100%	100%	100%
surface ceiling installation					
<b>T92025_*</b> grey painted	LED 1x3W	<b>Ballast lumen factor:</b> 100%	100%	100%	100%
<b>T92026_*</b> white painted	LED 1x3W	<b>Ballast lumen factor:</b> 100%	100%	100%	100%

\* Order code with suffix E: e.g. TnnnnE = Luminaire with HF ballast without monitoring modules  
 Order code with suffix S: e.g. TnnnnS = Luminaire with HF ballast with monitoring module, manual coding  
 Order code with suffix A: e.g. TnnnnA = Luminaire with HF ballast with monitoring module, automatic coding  
 Order code with suffix N: e.g. TnnnnN = Luminaire with HF ballast suitable for LOGICA-NEA emergency lighting systems