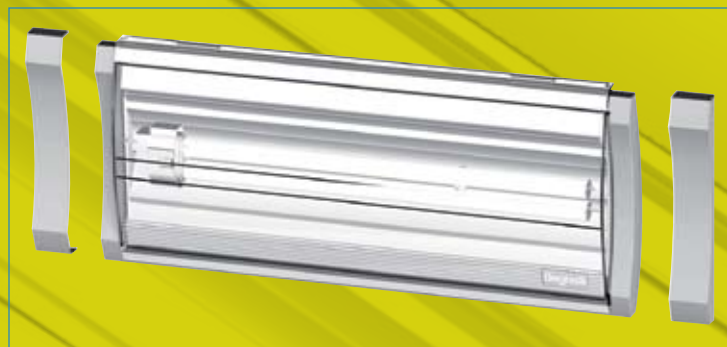


Compp

Completa[®]

FORMULA

PROFESSIONAL EMERGENCY LUMINAIRE



The **Completa** features:

- recessed, ceiling, wall mount
- edge lit & IP65
- Autotest
- SA & SE versions
- High Installation Wheel Base
- Symmetric optics with high yield

COMPLETA **Formula**

IP65.

TECHNICAL YET ELEGANT DESIGN

The **COMPLETA Formula** by Beghelli is an emergency lighting device created to offer maximized flexibility of usage. The visual appearance, particularly technical gives to the product an aesthetic impact with great efficiency. The wide lens has a superior transparency which brings out the technologically advanced optic. Minimalism and ingenuity, two characteristics that give the **COMPLETA Formula** application flexibility to any architectural purposes, such as offices, public places, buildings with high architectural value like theaters and museums, but also for industrial applications thanks to the IP65 protection grade.

QUICK CONNECT LENS

The **COMPLETA Formula** by Beghelli is a shock resistant polycarbonate unit, created both for resistance as well as for its high lens transparency. In order to facilitate the installation and maintenance of the unit, the lens has a locking system that allows not only a two step quick connect, that can be performed with the use of only one hand, but also provides the safety of never having to touch any electrical components during the process.



BUILT-IN AESTHETICS

The aesthetic part of this version of the **COMPLETA Formula** has significantly improved, not only by having reduced the amount of parts that are visible, but also giving to the unit an increased degree of elegance and a greater ease of installation.

SYMMETRIC REFLECTOR WITH AN ELEVATED LIGHT YIELD

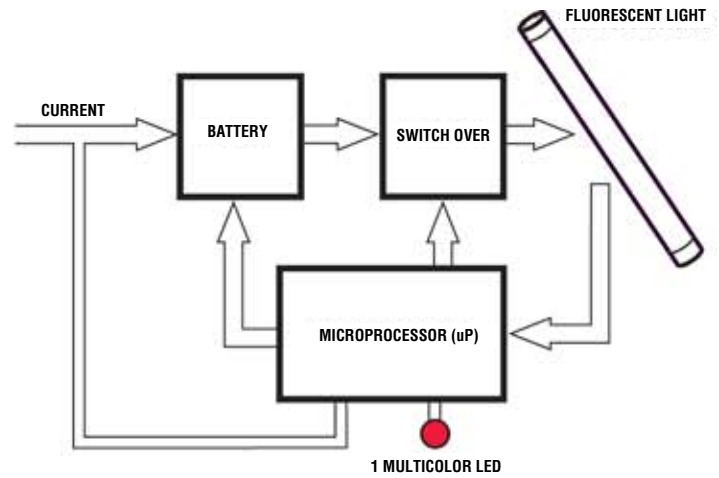
The geometry of the reflector was designed to optimize its lighting beam making it more uniform and particularly ample, therefore offering more positioning and installation conditions. In case the unit needs to be installed on the emergency exit path the amount of units to be installed is less than the conventional emergency exit lighting without compromising the standards.

The Beghelli photometric software measures the lighting for wall and ceiling installation.



AUTOTEST – AUTOMATES THE PROCEDURES SPECIFIED IN UNI 11222 NORMS

As per International Regulations, the 626 AUTOTEST are considerably important since it contains a system that periodically performs an auto test checking all its functions. This system allows the operator to receive a better control of the operation providing prevention and protection.



AUTOTEST – ELECTRONIC CONTROLLED RECHARGER TO SAVE ENERGY AND DUPLICATE THE LIFE OF THE BATTERY

Most of the conventional emergency lights are constantly recharging and wasting too much energy. Beghelli, always having the environment and energy efficiency in mind, has developed the ideal system within the **COMPLETA Formula**. After the 12 hours needed to recharge the battery the next phase contains and maintains the lamp usage to less than 1 Watt. By this the system reduces the amount of energy used, avoids overheating of the unit, which causes shortening of the battery life and increases to double the amount of life expectancy for the battery.

	RED flashing once	Error Battery Life
	RED flashing twice	Error Fluorescent Lamp
	RED flashing thrice	Error Circuit
	Steady RED	Battery Disconnected Or Defective
	YELLOW Flashing	TEST INHIBITED
	Steady GREEN	REGULAR FUNTIONING
	GREEN Flashing	RECHARGING IN PROGRESS

AUTOTEST – AUTORESTART SYSTEM FOR IMMEDIATE MAINTENANCE

The **COMPLETA Formula** by Beghelli, version AT, has an added element that allows a faster replacement of the fluorescent light. When the fluorescent tube needs to be replaced, the unit goes on Autorestart by feeding the fluorescent light automatically for 5 seconds, allowing the installer to make sure the tube has been properly installed. After that, the unit shuts down and lights up only during a black out or during the maintenance tests.



REMOTE CONTROL INIBIT

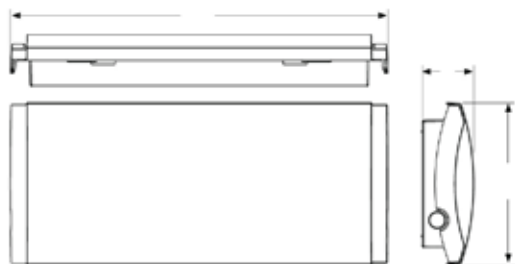
It is possible to inhibit the whole system from any check point on the **COMPLETA Formula** by Beghelli, both for the traditional mode as well as for the AT mode. The system has two outputs, protected by low voltage and an auxiliary outlet to connect to an external battery. Each output can hold up to 50 lamps.

The units must be connected using two dedicated wires and the emergency reserve takes place thru the ON-OFF button. The status of the system can be checked through bright LEDs.



COMPLETA

Formula



Power W	Dimensions (mm)			Lamps	Socket
	L	B	H		
6	354	152	48,5	T5	G5
8	354	152	48,5	T5	G5
11	354	152	48,5	TCL	2G7
24	354	152	48,5	TCL	2G7



Accessories - to be ordered separately

Cod. Ord.	Descrizione	Imballo
19040	Recessed box and frame	1
19041	Ceiling Bracket	1
19042	Edgelit lens L/R/Front	1
19043	Edgelit lens low	1
19044	Adhesive legend L/R/Low/front	1



Quick lock in connection of the edgelit lens

AT

	W	Ordering Code	Description	Version	Duration	Battery	Nominal Flux	Weight kg	Pcs./pk
	6W	19020	F1 6W IP65 AT SE 1N/RM	SE	1h	NC HT 4.8V 0.75AH	80	0.5	12
H	6W	19021	F1 6W IP65 AT SE 3N/RM	SE	3h	NC HT 4.8V 1.7AH	80	0.5	12
	8W	19022	F1 8W IP65 AT SE 1N/RM	SE	1h	NC HT 4.8V 0.75AH	100	0.7	12
H	8W	19023	F1 8W IP65 AT SE 3N/RM	SE	3h	NC HT 4.8V 1.7AH	100	0.7	12
	8W	19024	F1 8W IP65 AT SA 1N/RM	SA	1h	NC HT 4.8V 0.75AH	93/130	0.7	12
H	8W	19025	F1 8W IP65 AT SA 3N/RM	SA	3h	NC HT 4.8V 1.7AH	93/130	0.7	12
	11W	19026	F1 11W IP65 AT SE 1N/RM	SE	1h	NC HT 7.2V 0.75AH	120	0.7	12
H	11W	19027	F1 11W IP65 AT SE 3N/RM	SE	3h	NC HT 7.2V 1.7AH	120	0.7	12
	11W	19028	F1 11W IP65 AT SA 1N/RM	SA	1h	NC HT 7.2V 0.75AH	120	0.7	12
H	11W	19029	F1 11W IP65 AT SA 3N/RM	SA	3h	NC HT 7.2V 1.7AH	120	0.7	12
	24W	19030	F1 24W IP65 AT SE 1N/RM	SE	1h	NC HT 4.8V 1.7AH	130	0.9	12
H	24W	19031	F1 24W IP65 AT SE 3N/RM	SE	3h	NC HT 7.2V 1.7AH	130	0.9	12
	24W	19032	F1 24W IP65 AT SA 1N/RM	SA	1h	NC HT 4.8V 1.7AH	130	0.9	12
H	24W	19033	F1 24W IP65 AT SA 3N/RM	SA	3h	NC HT 7.2V 1.7AH	130	0.9	12

Traditional

	W	Ordering Code	Description	Version	Duration	Battery	Nominal Flux	Weight kg	Pcs./pk
	6W	19000	F1 6W IP65 SE 1N/RM	SE	1h	NC+CAB HT 3.6V 0.75AH	80	0.5	12
H	6W	19001	F1 6W IP65 SE 3N/RM	SE	3h	NC+CAB HT 3.6V 1.7AH	08	0.5	12
	8W	19002	F1 8W IP65 SE 1N/RM	SE	1h	NC HT 4.8V 0.75AH	100	0.7	12
H	8W	19003	F1 8W IP65 SE 3N/RM	SE	3h	NC HT 4.8V 1.7AH	100	0.7	12
	8W	19004	F1 8W IP65 SA 1N/RM	SA	1h	NC HT 4.8V 0.75AH	93/130	0.7	12
H	8W	19005	F1 8W IP65 SA 3N/RM	SA	3h	NC HT 4.8V 1.7AH	93/130	0.7	12
	11W	19006	F1 11W IP65 SE 1N/RM	SE	1h	NC HT 7.2V 0.75AH	120	0.7	12
H	11W	19007	F1 11W IP65 SE 3N/RM	SE	3h	NC HT 7.2V 1.7AH	120	0.7	12
	11W	19008	F1 11W IP65 SA 1N/RM	SA	1h	NC HT 7.2V 0.75AH	120	0.7	12
H	11W	19009	F1 11W IP65 SA 3N/RM	SA	3h	NC HT 7.2V 1.7AH	120	0.7	12
	24W	19010	F1 24W IP65 SE 1N/RM	SE	1h	NC HT 4.8V 1.7AH	130	0.9	12
H	24W	19011	F1 24W IP65 SE 3N/RM	SE	3h	NC HT 7.2V 1.7AH	130	0.9	12
	24W	19012	F1 24W IP65 SA 1N/RM	SA	1h	NC HT 4.8V 1.7AH	130	0.9	12
H	24W	19013	F1 24W IP65 SA 3N/RM	SA	3h	NC HT 7.2V 1.7AH	130	0.9	12

Inhibit Mode

Ordering Code	Description	Devices Controlled	Battery	Weight kg	Pcs./pk	Installation
2730	973	max 100	NiCd 6V 0.5Ah	0.4	6	Guida DIN 3.5x7.5

EMERGENCY **Multiuse** ENCY

CEILING MOUNT

The **COMPLETEA Formula** by Beghelli has been created using a reflector with a symmetric light beam ideal for ceiling mount. The duplication of the light from the reflector brings a wider photometric that decreases the amount of units to be installed in respect to conventional emergency lighting.



WALL MOUNT

The beam of light is also guaranteed for the wall mounting. The wider photometric allows the **COMPLETEA Formula** by Beghelli the optimal solution for diverse areas specified in the Norms UNI EN 1838. The unit has 5 entries: right side, left side, top side, bottom side and rear side. This last one allows the unit to hide even the existing wiring by using the box 503.



RECESSED MOUNT

In the event of ceiling tiles, or wherever you want to obtain a smooth and elegant looks, the **COMPLETEA Formula** by Beghelli is the solution with a recessed mount. By using its box and smoothing surfaces you can facilitate the installation as well as obtain a great aesthetic result. The recessed box is universal then it can be used for the versions of the Completa Formula Beghelli: 6, 8, 11 and 24 watt.



EDGE LIT MOUNT

The **COMPLETEA Formula** by Beghelli is highly versatile in many types of installations. Thanks to the edgelit mounting feature, the unit can be installed from the ceiling giving light beneath it as well as an edgelit exit sign indicating where the emergency exits can be found.

